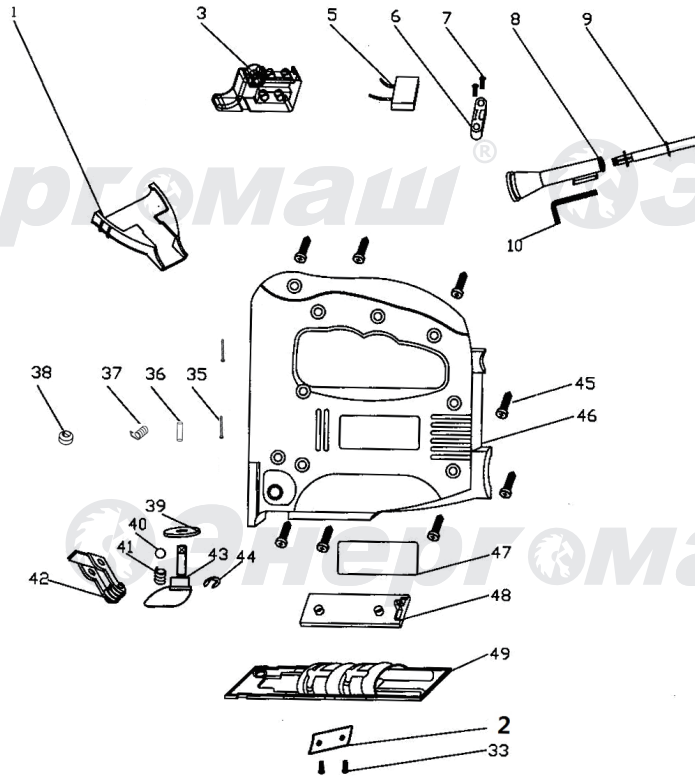
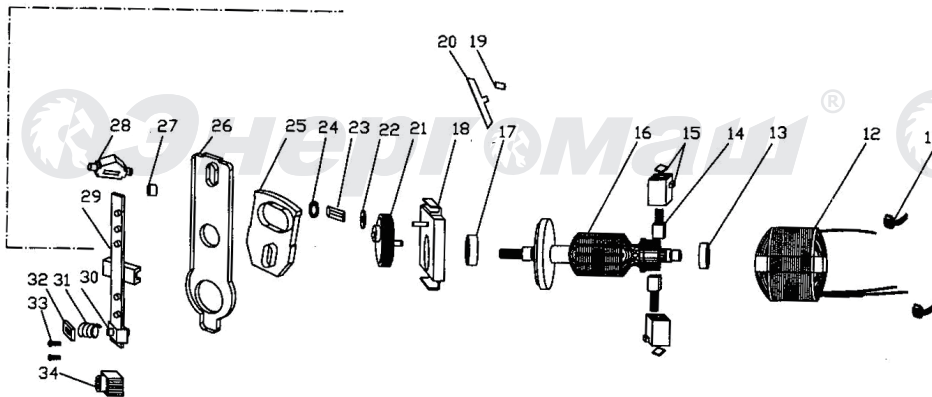


Энергомаш ЛБ-650



NO.	DESCRIPTION	NO.	DESCRIPTION
1	BLADE PROTECTOR	26	PENDULUM BAR
2	BASE PRESS BOARD	27	WHEEL
3	SWITCH	28	REAR SUPPORT
5	CAPACITOR	29	SLIDE
6	WIRE HOLDER	30	FRONT SUPPORT
7	SCREW ST3.9X14	31	SUPPORT SPRING
8	WIRE SLEEVE	32	SLIDE GUIDE
9	WIRE AND PLUG	33	ALLEN SCREW M4X14
10	4# ALLEN WRENCH	34	KNIFE CLAMP
11	INDUCTANCE	35	SCREW ST3.9X45
12	STATOR	36	ROUND PIN
13	BEARING 607	37	BLADE HOLDER SPRING
14	CARBON BRUSH	38	LOCATING SLEEVE
15	BRUSH HOLDER	39	SPACER
16	ROTOR	40	STEEL BALL
17	BEARING 608	41	PENDULUM KNOB SPRING
18	CENTRAL SUPPORT	42	BLADE HOLDER
19	ROUND PIN	43	PENDULUM KNOB
20	BASE PLATE	44	SPLIT WASHER
21	GEAR	45	SCREW ST3.9X18
22	GASKET	46	LEFT HOUSING
23	NEEDLE BEARING	47	NAMEPLATE
24	CIRCLIP FOR SHAFT	48	BASE HOLDER
25	COUNTER BALANCE	49	BASE



RU-EN20160718